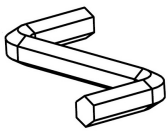
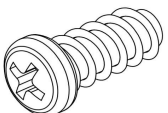
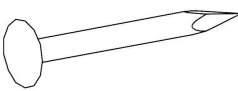
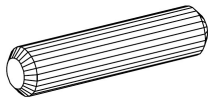
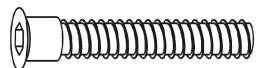

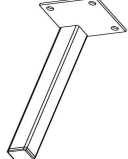
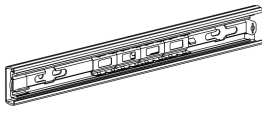

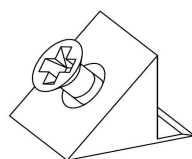
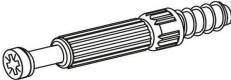
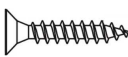
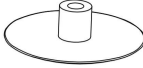


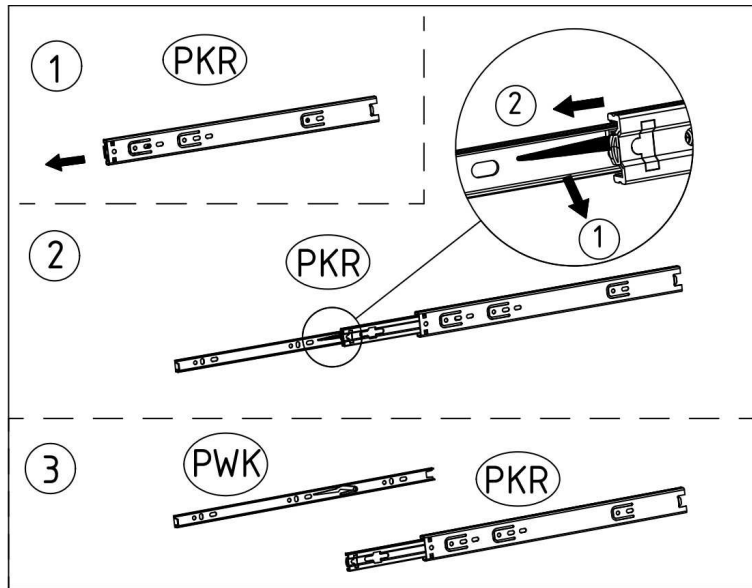
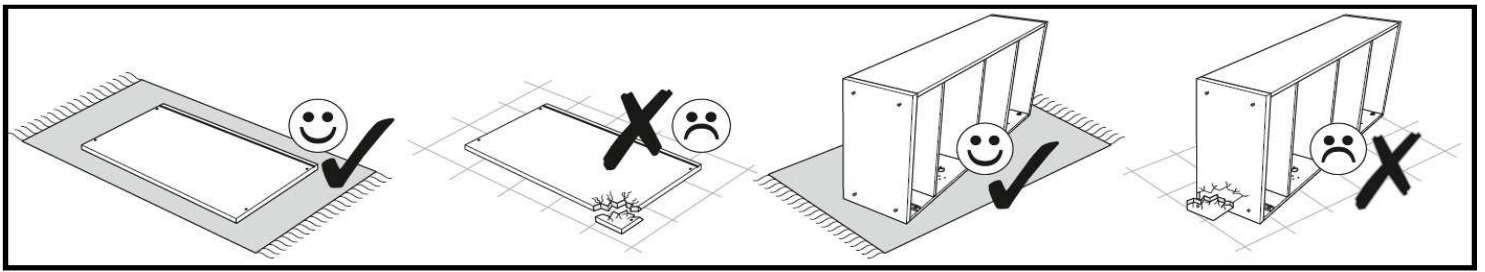
Table accessories

EXITO 04

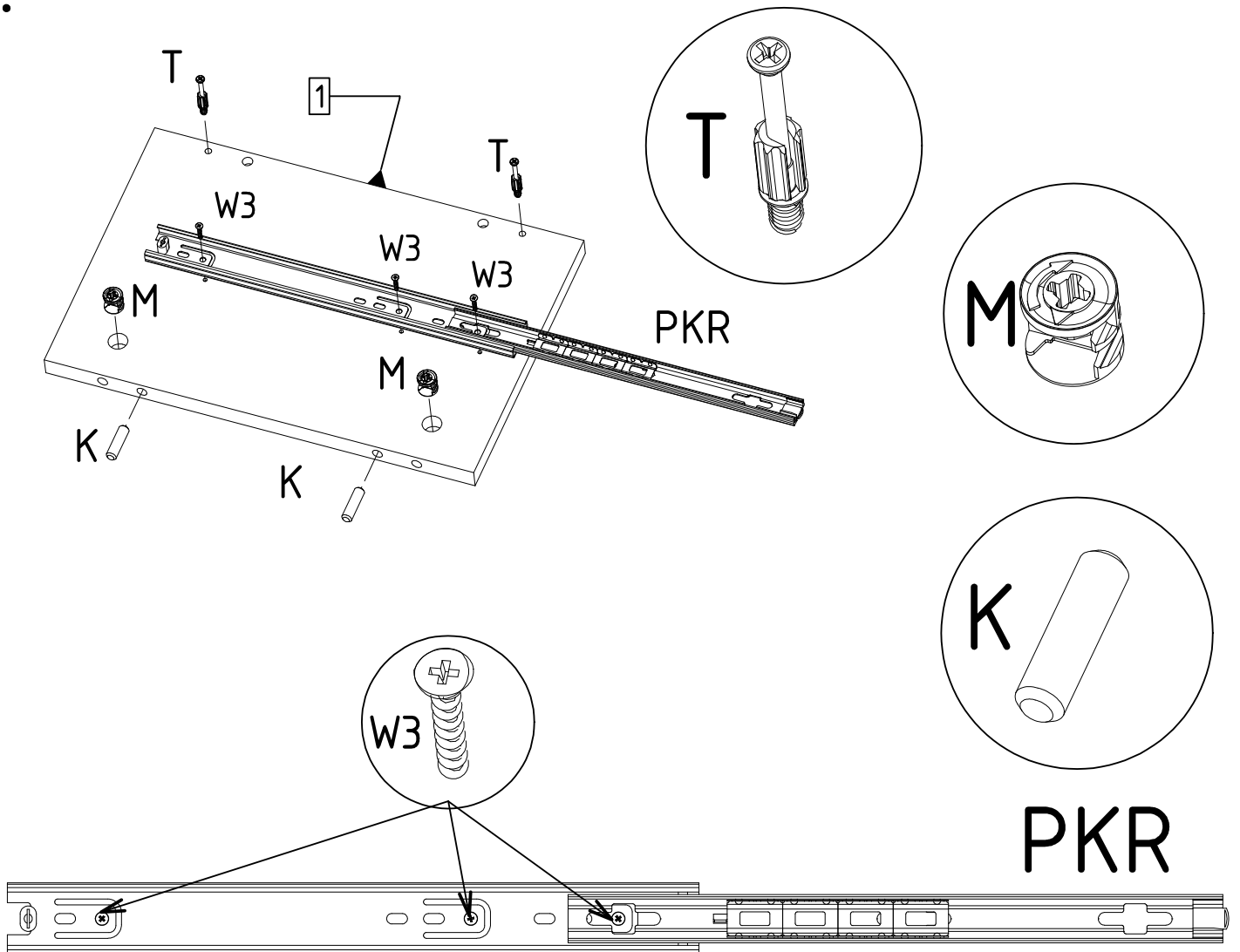
 A1	6,3 X 13  E13	 G	8 x 30  K	6,3 X 50  KN
15 x 12  M	h= 200mm  NZ	L300  PKR	L300  PWK	 ST
6 x 34 mm  T	3 x 16mm  W3	 Z		

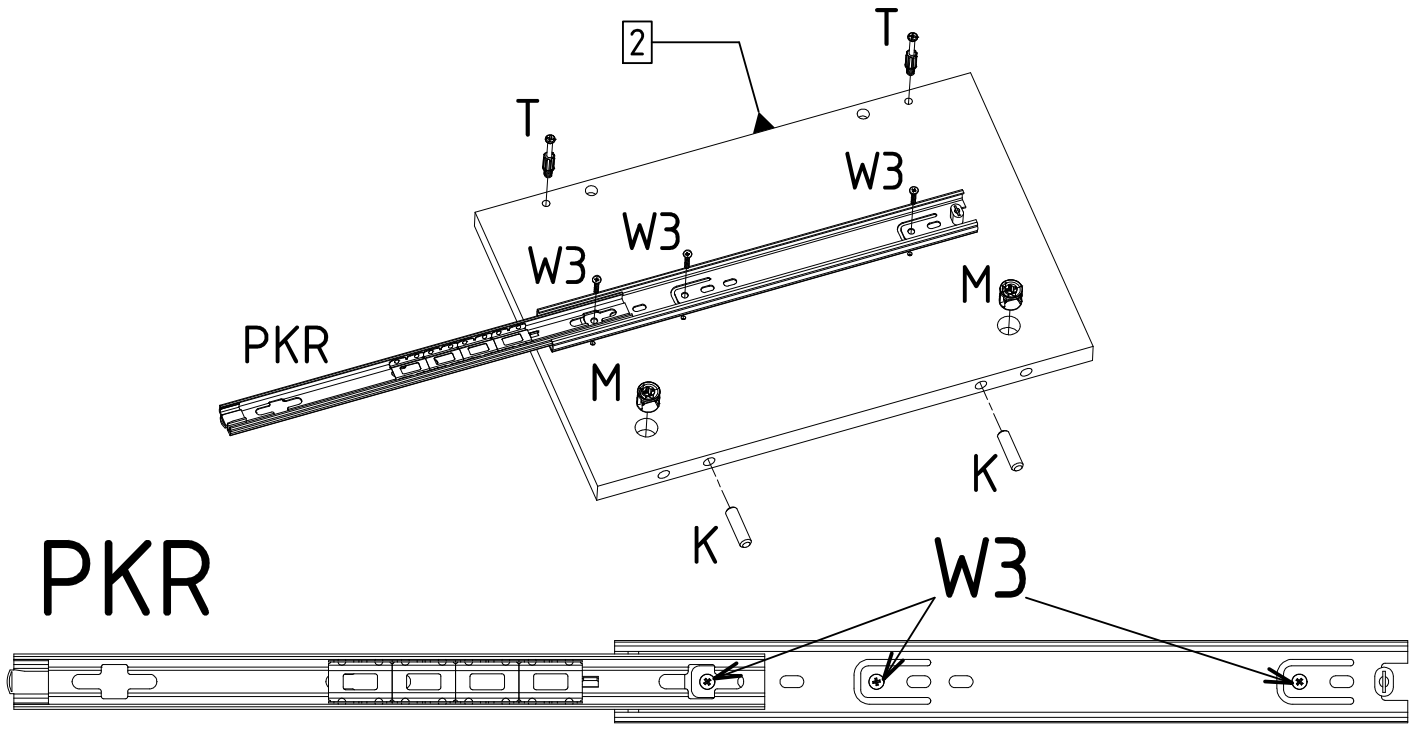
Elements				Accessories	
SYMBOL	LENGTH	WIDTH	QUANTITY	SYMBOL	QUANTITY
BL [1]	350	234	1	A1	1
BP [2]	350	234	1	E13	12
FTS [3]	499	255	1	G	21
KBL [4]	300	160	1	K	10
KBP [5]	300	160	1	KN	4
KD [6]	439	304	1	M	10
KT [7]	411	160	1	NZ_H=200mm	4
PC [8]	493	244	1	PKR [L=300mm]	2
WD [9]	467	350	1	PWK [L=300mm]	2
WG [10]	500	350	1	ST	2
				T	10
				W3	10
				Z	10



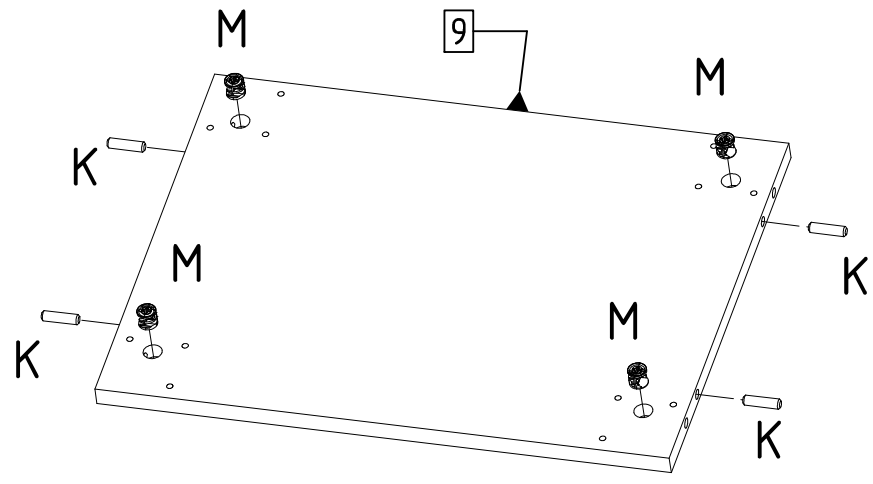


1.

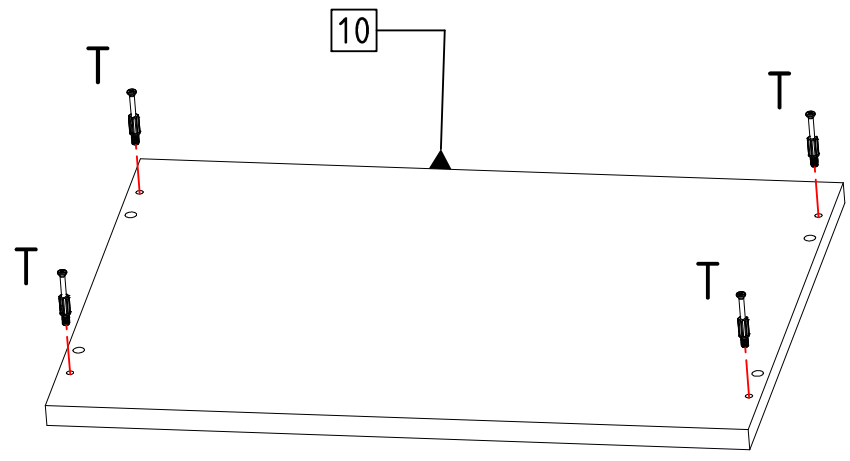




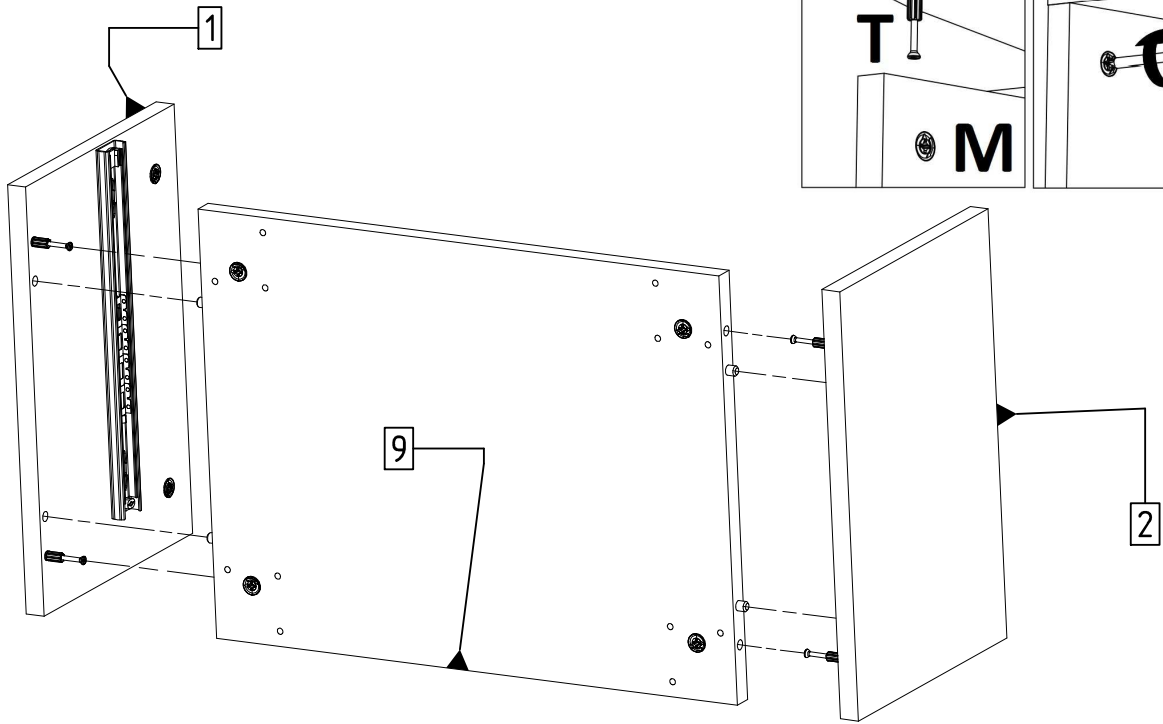
2.



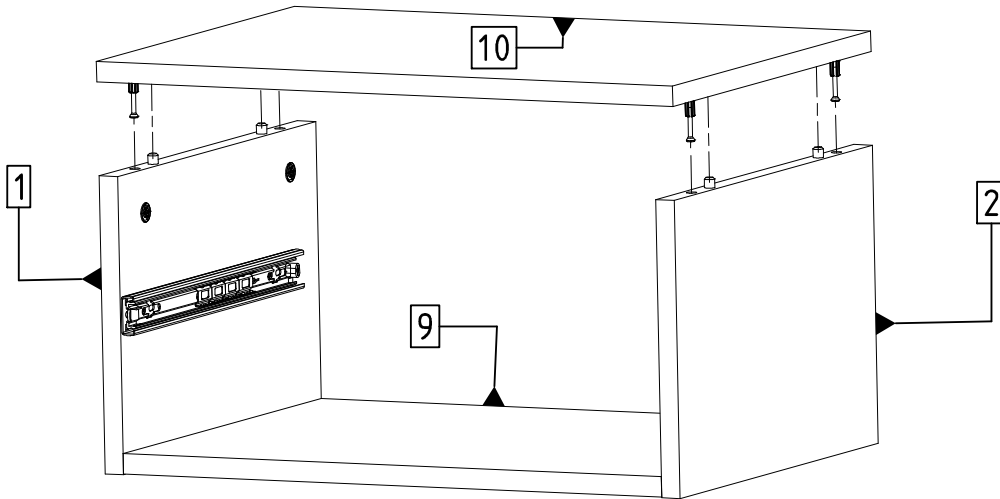
3.



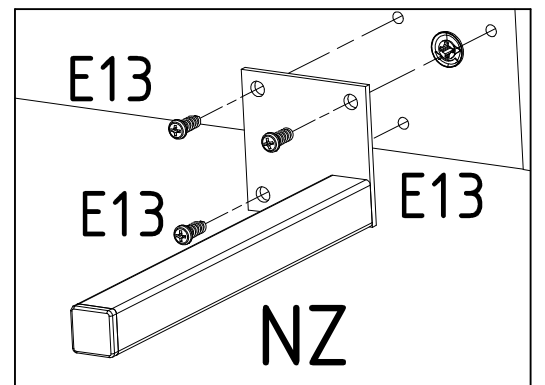
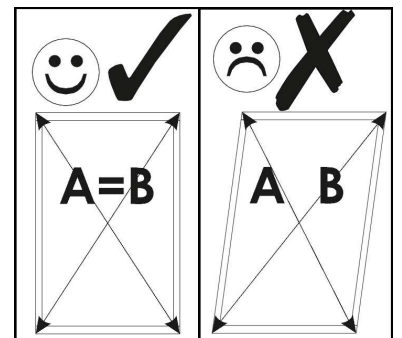
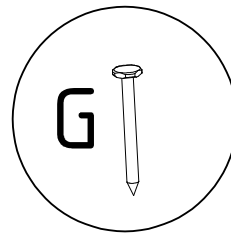
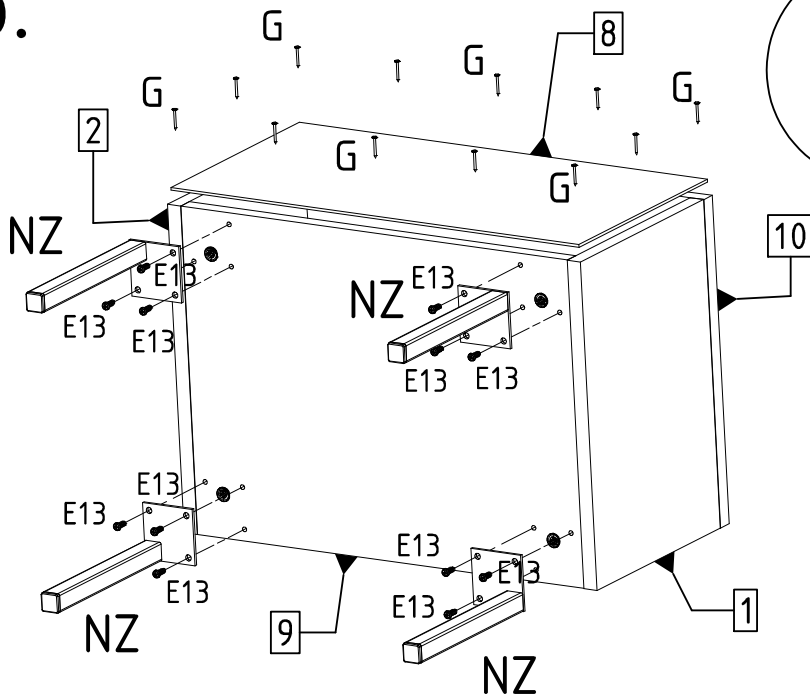
4.



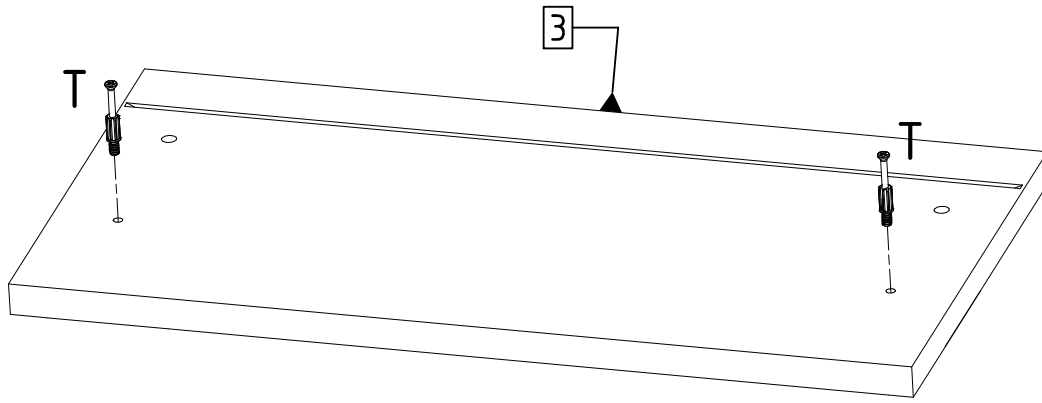
5.



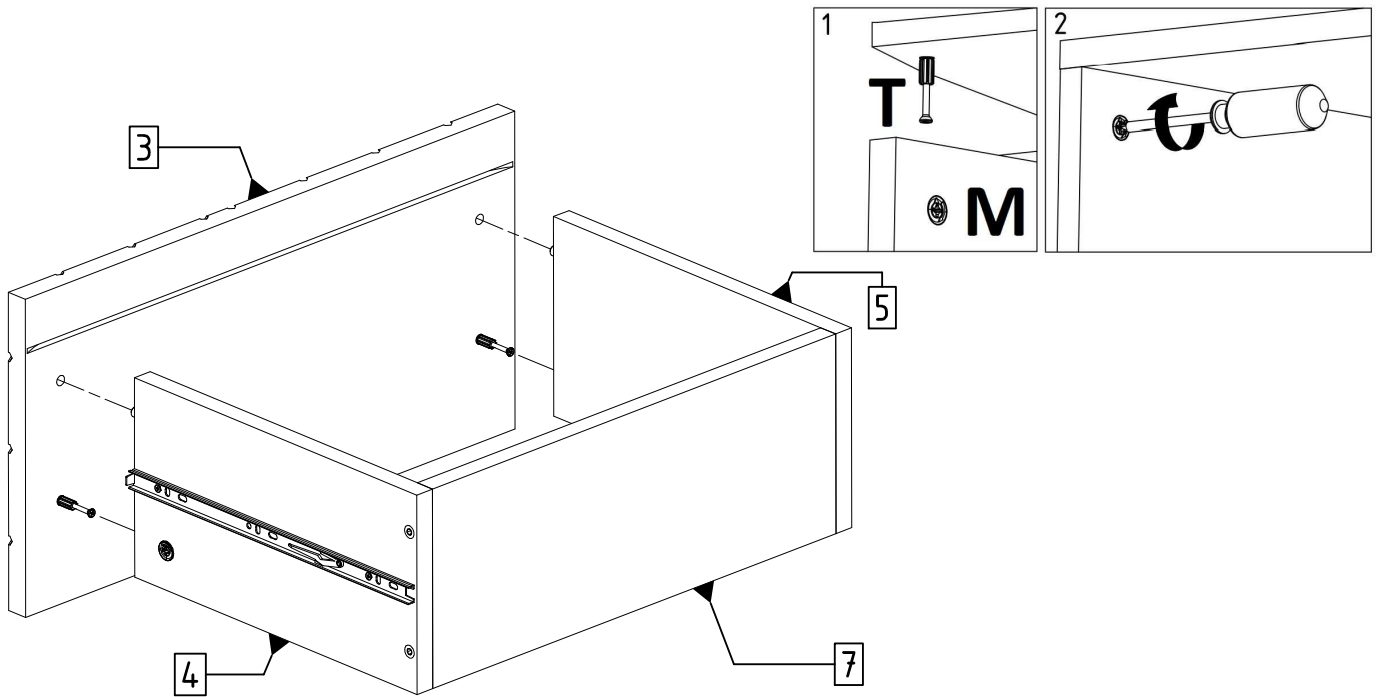
6.



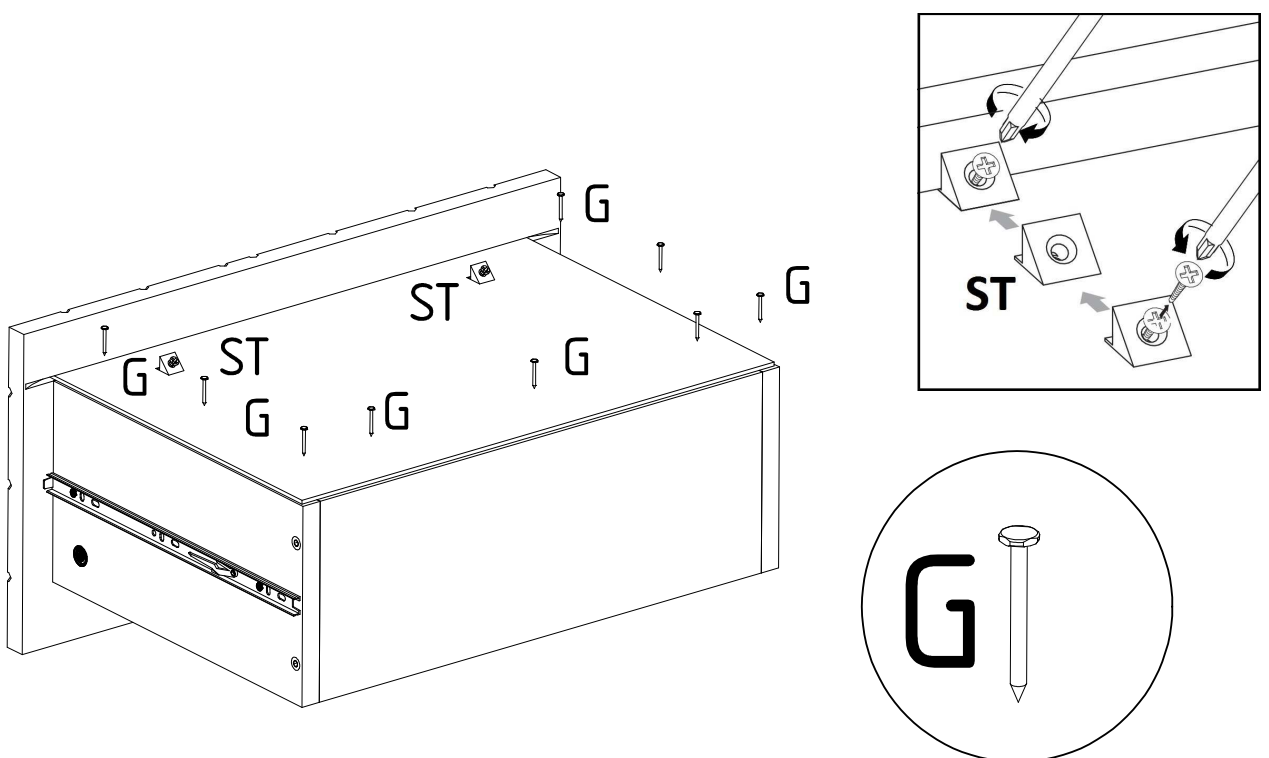
9.

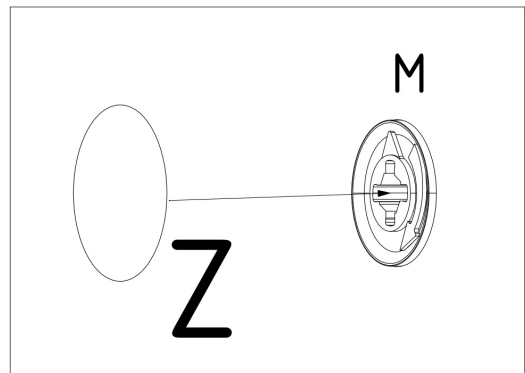


10.



11.





max.
5 kg

